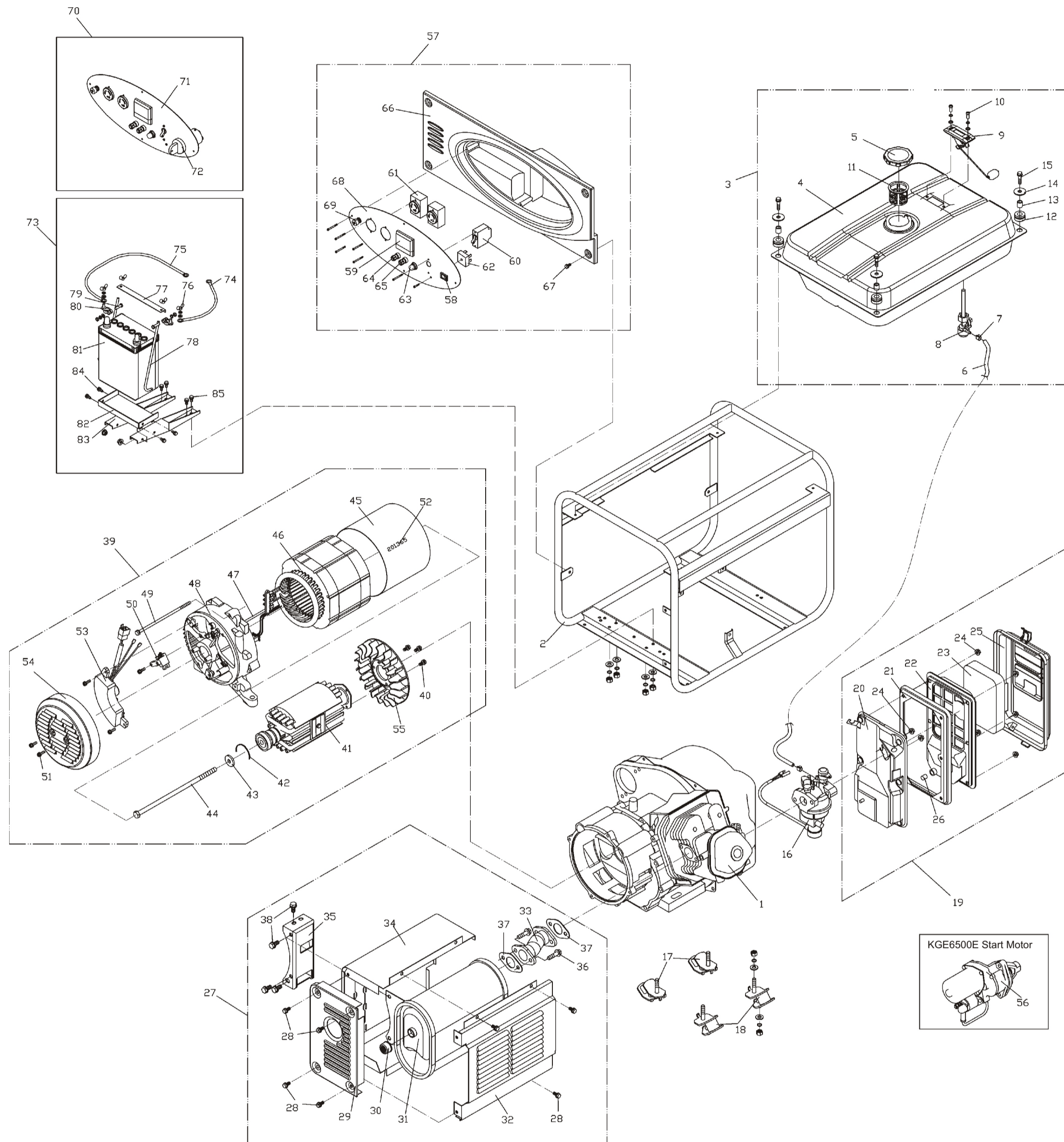


ASSEMBLY AND PARTS ALBUM

KGE6500X/E



No.	Code.	Description	Qty.	No.	Code.	Description	Qty.	No.	Code.	Description	Qty.	No.	Code.	Description	Qty.
1	KG390	Gasoline Engine	1	23	KG240G-07002	Filter Element	1	45	8KM.0132.01	Motor Protect Plate	1	67	GB/T5788-86	Bolt M6	4
2	KGE6500X-03000	Framework Assembly	1	24	GB/T6177-86	Nut M6	10	46	5KM.6801.01	Motor Stator	1	68	KGE6500X-13110	Instrument Panel	1
3	KGE6500X-11000	Fuel Tank Assembly	1	25	KG240G-07101	Air Cleaner Cap	1	47	8KM.203.009	Bolt M5	2	69	M6	Ground Connection	1
4	KGE6500X-11100	Fuel Tank Welding Assembly	1	26	KG240G-07005	Drain Oil Tap	1	48	8KM.0342.01	Motor Rear Cover	1	70	KGE6500E-13100	Instrument Panel Assembly	1
5	KGE6500X-11200	Fuel Tank Cap Assembly	1	27	KGE6500E-10000	Muffler Assembly	1	49	GB5787-86	Bolt M6x120	4	71	KGE6500E-13110	Instrument Panel	1
6	KGE2500X-11004	Oil Pipe	1	28	GB/T5788-86	Bolt M6x16	11	50	D104	Carbon Brush	1	72	JK425	Electric Lock	1
7	KGE2500X-11003	Oil Pipe Clip	2	29	KGE6500E-10401	Muffler Protecting plate Rear Cover	1	51	GB6563-86	Self-tapping Bolt M6x12	2	73	KGE6500E-17000	Accumulator Assembly	1
8	KGE2500X-11500	Oil-breaker Assembly	1	30	KGE6500E-10300	Fireproof Cap Assembly	1	52		Generator Serial No	1	74	KGE6500E-17001	Accumulator Earth Thread	1
9	KGE2500X-11400	Dipstick Assembly	1	31	KGE6500E-10100	Muffler Assembly	1	53	AVR	Excitation AVR	1	75	KGE6500E-17002	Accumulator Anode Connection	1
10	GB/T818-85	Screw MSX12	2	32	KGE6500E-10420	Muffler Outer Protect Plate Welding	1	54	8KM.0131.01	Motor Lead-wind Cover	1	76	GB/T62-88	Wing Nut	4
11	KGE2500X-11300	Filter Element	1	33	KGE6500E-10200	Muffler Angle Pipe Welding	1	55	8KM.4351.01	Motor Fan	1	77	KGE6500E-17300	Accumulator Pressure Plate	1
12	KGE2500X-11002	Cushion	4	34	KGE6500E-10410	Muffler Inner Protect Plate Welding	1	56	KGE340E-15000	Stator Motor Assembly	1	78	KGE6500E-17400	Accumulator Clamping Pole	2
13	KGE2500X-11001	High Bushing	4	35	KGE6500E-10500	Muffler Rack Welding	1	57	KGE6500X-13100	Instrument Panel Assembly	1	79	GB5783-86	Bolt M6X25	2
14	GB/T5287-86	Big Washer6	4	36	GB/T5788-86	Bolt M8x30	2	58	KCD2 5A/16A	Engine Switch	1	80	KDE5000T-09501	Accumulator Connection Clip	2
15	GB/T5788-86	Bolt M6X25	4	37	KGE2500X-10001	Angle Sheet Gasket	3	59	MU45	Voltage Meter	1	81	36Ah	12V/36Ah Accumulator	1
16	KG390-10000	Carburetor Assembly	1	38	GB/T5788-86	Hexagon Flange Bolt M8X16	11	60	D30/1620 23A	Breaker	1	82	KGE6500X-17100	Accumulator Bottom Plate	1
17	KGE6500E-12100	Left Damping Block	2	39	KT-5	Single Phase Motor Assembly	1	61	25A 250V	Single Receptacle	1	83	KGE6500X-17200	Accumulator Mount Welding	2
18	KGE6500E-12200	Right Damping Block	2	40	GB6563-86	Self-tapping Screw	3	62	KBPC25-10	Rectifier Bridge	1	84	GB/T5788-86	Bolt M6X16	11
19	KG240G-07000	Air Cleaner Assembly	1	41	5KM.6741.01	Generator Rotor	1	63	10A φ6X30	Fuse	1	85	GB/T5788-86	Bolt M8X20	4
20	KG240G-07200	Air Cleaner Bottom Housing Welding	1	42	6204DV	Clip	1	64	JS107	Connection Post Assembly (red)	1				
21	KG240G-07004	Air Cleaner Sheet Gasket	1	43	8KM.2182.01	Punch-Axle Bolt Gasket M10X214	1	65	JS107	Connection Post Assembly (black)	1				
22	KG240G-07003	Filter Element Rack	1	44	8KM.2002.01	Punch-Axle Bolt M10X214	1	66	KGE6500X-1	Instrument Panel Rear Cover	1				

KIPOR POWER CO., LTD.

11/F Suntime International Mansion, 450 Fushan Road, Pudong, Shanghai, China
TEL: 86-21-58208881 FAX: 86-21-58208877